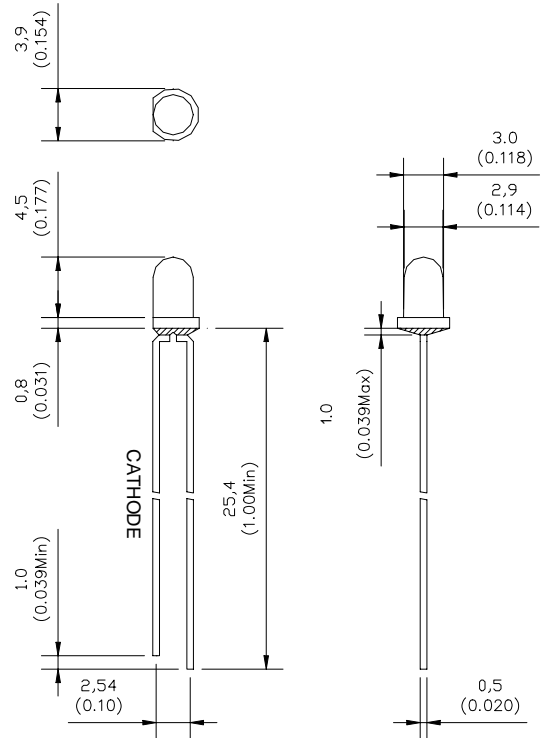


GNL-3014IRxx (3mm Infrared LED) IR LED series

ABSOLUTE MAXIMUM RATING:(Ta=25)

Parameter			Unit
DC Forward Current	30		mA
Reverse Voltage	5		V
Reverse Current (Vr=5V)	10		μA
Peak Forward Current ,tw ,=1 msec Duty ,=1/20	150		mA
Operation Temperature	-40	+80	
Storage Temperature	-40	+100	
Solder Dip Temperature (5 seconds,1.6mm from body)	300	± 5	



Feature:

- 1.Small flange without stand-off
- 2.Long life-solid state reliability
- 3.Long lead length(25.4mm)
- 4.Versatile mounting on P.C. board or panel

Description:

- 1.The shape of this series is round
- 2.General application is for remote controls,etc.
- 3.These LED lamps are available with a choice of defferent light intensities,epoxy colors,etc.

Part Number	EMITTED COLOR	Lens Color	Peak Wavelength (nm)	Vf (v) Typ.	Aperture Radiant Incidence If=20mA	View Angle 2 1/2
GNL-3014IRAC-1	GaAlAs	Water Clear	940	1.60	3.0mW/sr	30 °
GNL-3014IRAC	GaAlAs	Water Clear	940	1.50	7.0mW/sr	30 °
GNL-3014IRBC	GaAlAs	Water Clear	880	1.35	10.0mW/sr	30 °
GNL-3014IRCC	GaAlAs	Water Clear	850	1.45	13.0mW/sr	30 °
GNL-3014IRAB-1	GaAlAs	Blue Transparent	940	1.60	2.5mW/sr	30 °
GNL-3014IRAB	GaAlAs	Blue Transparent	940	1.50	6.0mW/sr	30 °
GNL-3014IRBB	GaAlAs	Blue Transparent	880	1.35	9.0mW/sr	30 °
GNL-3014IRCB	GaAlAs	Blue Transparent	850	1.45	12.5mW/sr	30 °